

USI3500 - Low Cost US to Euro ISDN Converter



- Connects standard ETSI Euro-ISDN terminals to the US network
- Provides protocol conversion
- Supports SPID negotiation
- US National ISDN 1 & 2, A T & T Custom, DMS100 protocols supported
- Compact & lightweight

Application

The Open Networks USI3500 allows a terminal supporting the ETSI Euro-ISDN basic rate protocol to be connected in the United States and to call another unit connected in the same way or to another located in Europe.

The Open Networks USI3500 allows ISDN secure telephone units that only support Euro-ISDN (such as the UK's BRENT & HANNIBAL) to be used on both sides of the Atlantic.

By behaving as an American terminal, the USI3500 is able to perform special functions not supported by the ETSI-only devices, such as SPID (Service Profile ID) negotiation. It will then provide a conversion between ETSI Euro-ISDN and the US protocols.

Each port on the USI3500 is configured as an S/T interface; with one behaving as an American 'user' for connection to a standard American NT1, and the other behaving as an ETSI network for connection to your European terminal.

Connection Summary

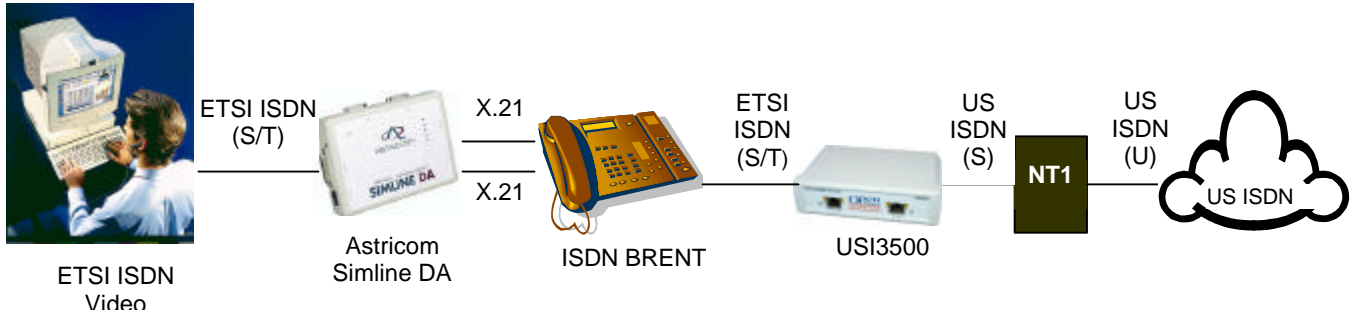
The US port (port 2) on the USI3500 provides one ISDN S/T USER interface with an RJ45 connector which must be plugged into a North American NT1 (not supplied).

The ETSI port (port 1) provides one ISDN S/T NETWORK interface with an RJ45 socket for connection of an ISDN BRENT secure telephone, a Euro-ISDN terminal adapter (such as the WebWay 850XB with X.21 BRENT) or similar ISDN terminal.

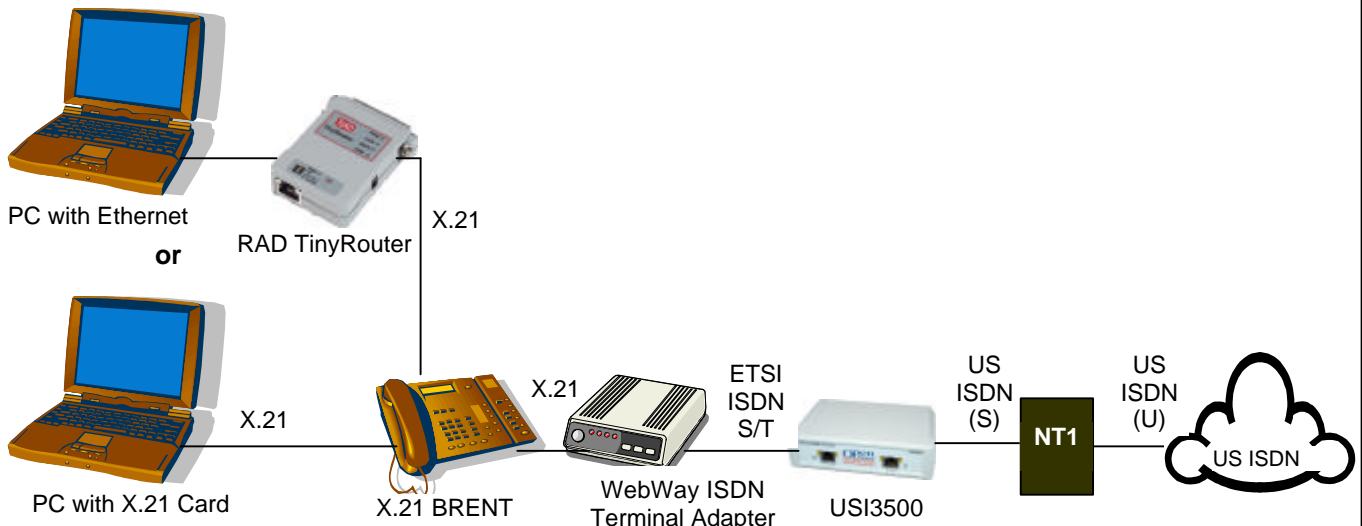


Application Examples

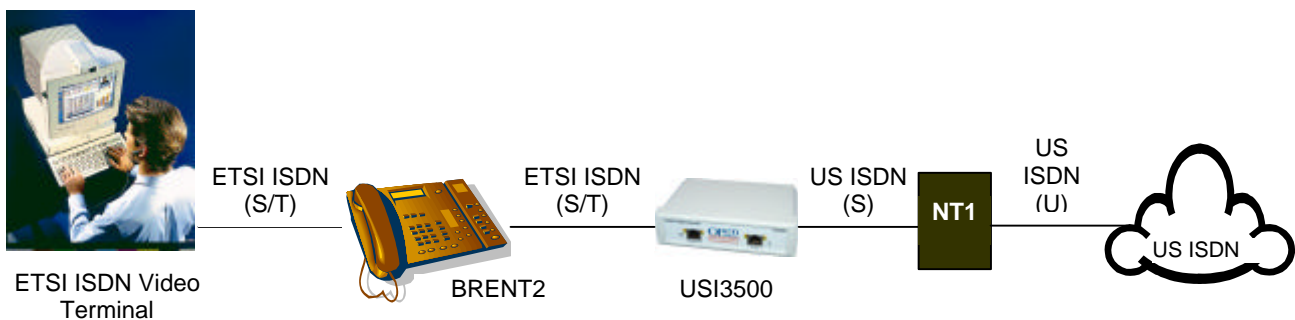
Secure Video Conferencing over ISDN BREN2



Secure Networking over X.21 BREN2



Secure Video Conferencing over BREN2

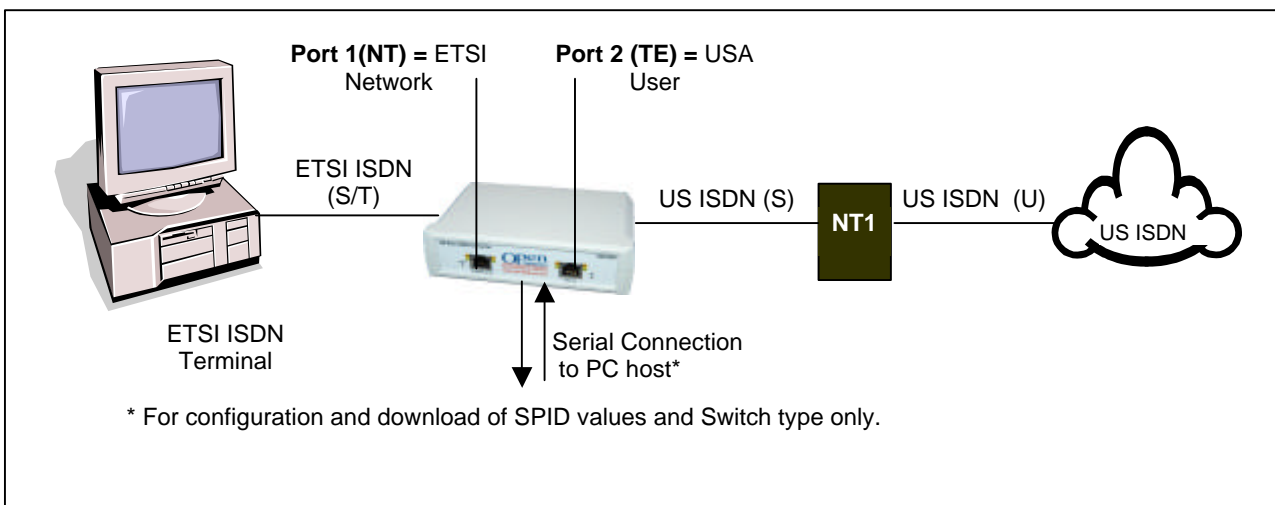


Open Networks Government & Defence is a division of Open Networks Engineering Limited
 HEAD OFFICE: Network House, Bangers Green, Bishops Stortford, Hertfordshire, CM22 6PF, United Kingdom

Tel: +44 (0) 1279 870101 ♦ Fax: +44 (0) 1279 870860 ♦ E-mail: defence@one.co.uk ♦ Web: www.one.co.uk

Registered in England and Wales ♦ Company Registration Number 2476563 ♦ VAT Registration Number GB 564 4468 18

Connection Diagram Example



Technical Specification

ISDN Interfaces	Port 1	Port 2
Protocol	ETSI Euro ISDN	User selectable: AT & T Custom, DMS100, National ISDN
Connection	1 x RJ45	1 x RJ45
Interface Type	S/T Interface NT (network port)	S/T Interface TE (user port for connection to an NT1)
TEI's	1 off	2 off
PS1 Feeding	Normal	N/A
SPID (Service Profile ID)	N/A	Supported

LED Indicators

B1/ B2 Channel active
 PS1 Present on ETSI port
 PH (Physical Layer - Layer 1) active
 DL (Datalink Layer - Layer 2) active

Configuration Interface

Serial Port - 9 way D type

PC Operating System

Windows 95/98/NT4/2000
 (Note: PC required only for configuration)

PS1 (Power Source 1)

The USI3500 supplies normal PS1 (phantom power) on it's ETSI basic rate Network port.

Accessories

Each USI3500 is supplied with:
 Serial Lead, Power Adapter, Windows configuration software on CD ROM to allow protocol selection and SPID values to be entered and downloaded to the USI3500.

Power Supply

Complete with a compact mains power adapter suitable for use in North America. Other models available on request.

Size/Weight

15.3cm x 10.3cm x 4cm (6" x 4.25" x 1.75")
 300g, (10oz)

Temperature

Operating/Storage: 0 - +40° C

Relative Humidity

90% non-condensing



Issue 1, December 2002.

Open Networks Government & Defence is a division of Open Networks Engineering Limited
 HEAD OFFICE: Network House, Bangers Green, Bishops Stortford, Hertfordshire, CM22 6PF, United Kingdom

Tel: +44 (0) 1279 870101 ♦ Fax: +44 (0) 1279 870860 ♦ E-mail: defence@one.co.uk ♦ Web: www.one.co.uk

Registered in England and Wales ♦ Company Registration Number 2476563 ♦ VAT Registration Number GB 564 4468 18